

HALL SENSOR

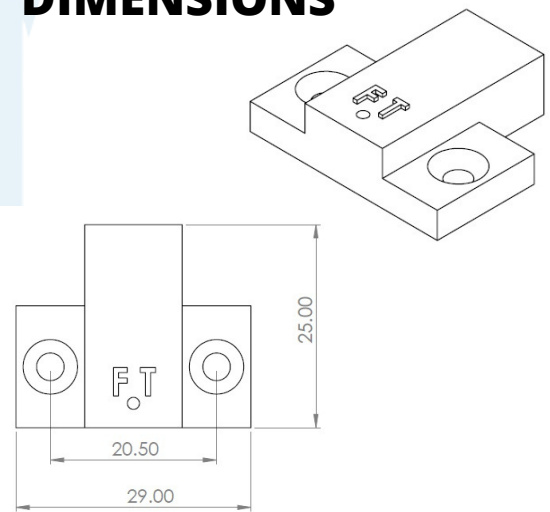
MODEL: HS25



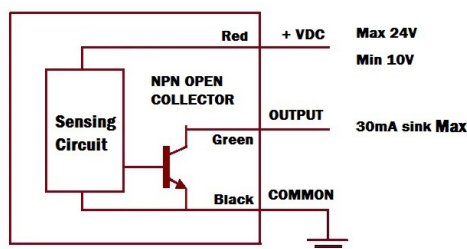
GENERAL

Mounting	: Flange Mount
Status	: LED - Red
Voltage	: 10 - 24V
Output	: NPN
No: of pins	: 3
Material	: Plastic
Sensing Type	: Front Sensing
High Speed Switching	: Upto 10KHz
Cable Length	: 2 meter

DIMENSIONS



WIRING DIAGRAM



WORKING CONDITIONS

Operating Temperature	: 0°C to 55°C
Humidity	: up to 95%

Speak to us :

+91 623 8811 302

info@futuronicstech.com

www.futuronicstech.com

Futronics Technology Pvt Ltd,
J K Arcade, Erour North, Kochi, India

