

# YARN SENSOR

MODEL: YSP40

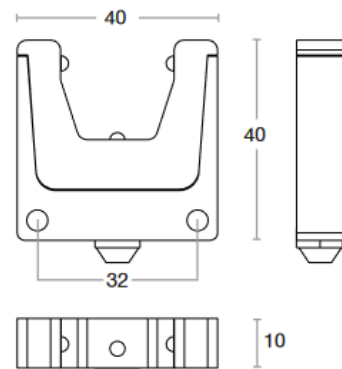
**ADJUSTABLE RESPONSE TIME**



## GENERAL

Yarn Type : Cotton/ POF / FDY  
Yarn Speed : Upto 1200 m/min  
Voltage : 24V  
Output : NPN  
Detection : Presence  
Housing : Plastic

## DIMENSIONS



Mounting Hole : 32.0mm

## DETECTION

Optical : Transmissive infrared  
Output : Pulsed

## WORKING CONDITIONS

Operating Temperature : 0°C to 55°C  
Humidity : up to 95%

**Speak to us :**

**+91 623 8811 302**

**info@futuronicstech.com**

**www.futuronicstech.com**

Futronics Technology Pvt Ltd,  
J K Arcade, Erloor North, Kochi, India

