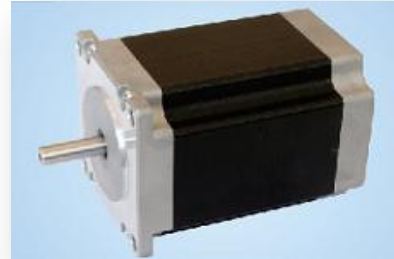


HIGH TORQUE HYBRID STEPPING MOTOR

1.8° NEMA 23 57mm

ITEM	SPECIFICATION
Step Angle	1.8°
Temperature Rise	80°CMax
Ambient Temperature	-20°C to +50°C
Insulation Resistance	100MΩ Min, 500VDC
Dielectric Strength	500VAC for 1 minute
Shaft Radial Play	0.06Max.(450 g-load)
Shaft Axial Play	0.08Max.(450 g-load)
Max Radial Force	75N(20mm from flange)
Max Axial Force	15N

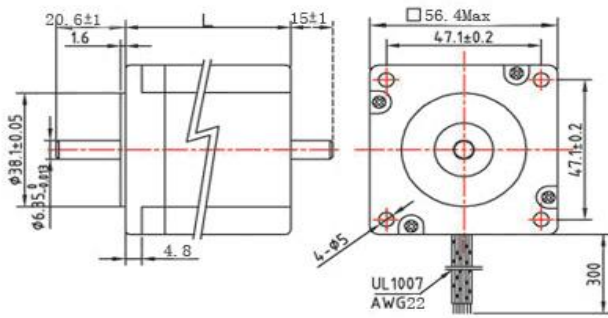


TECHNICAL SPECIFICATION

Model No.	Rated Voltage	Current/Phase	Resistance/Phase	Inductance/Phase	Holding Torque	No: Of Leads	Detent Torque	Rotor Inertia	Weight	Length
	V	A	Ω	mH	Kg-cm		Kg-cm	g-cm ²	Kg	mm
FT57SH41-16A	5.7	1	5.7	8	3.9	6	0.21	120	0.45	41
FT57SH41-26A	2.8	2	1.4	2.2	3.9	6				
FT57SH41-36A	1.9	3	0.63	1	3.9	6				
FT57SH41-24A	2	2.8	0.7	2.2	5.5	4				
FT57SH51-16A	6.6	1	6.6	8.2	7.2	6	0.36	275	0.65	51
FT57SH51-26A	3.3	2	1.65	2.2	7.2	6				
FT57SH51-36A	2.2	3	0.74	0.9	7.2	6				
FT57SH51-24A	2.3	2.8	0.83	2.2	10.1	4				
FT57SH56-16A	7.4	1	7.4	17.5	9	6	0.4	300	0.7	56
FT57SH56-26A	3.6	2	1.8	4.5	9	6				
FT57SH56-36A	2.3	3	0.75	1.9	9	6				
FT57SH56-24A	2.5	2.8	0.9	4.5	12	4				
FT57SH64-26A	3.6	2	1.8	2.5	10.5	6	0.5	380	0.85	64
FT57SH64-34A	2.4	3	0.8	2.3	15	4	0.5	380	0.85	64

FT57SH76-16A	8.6	1	8.6	23	13.5	6	0.68	480	1	76
FT57SH76-26A	4.5	2	2.25	5.6	13.5	6				
FT57SH76-36A	3	3	1	2.6	13.5	6				
FT57SH76-24A	3.2	2.8	1.13	5.6	18.9	4				
FT57SH82-34A	3.6	3	1.2	4	22	4	1	600	1.2	82
FT57SH82-54A	3	5	0.6	1.5	22	4				
FT57SH112-34A	4.8	3	1.6	6.8	28	4	1.2	800	1.4	112
FT57SH112-44A	3.8	4.2	0.9	3.8	28	4				

MOTOR DIMENSIONS



WIRING DIAGRAM

